

受控文件

产品规格书
PRODUCT SPECIFICATION

顾客产品名称型号:

Client Product Name: _____

HCB产品名称型号:

HCB Product Name: C39602-BNP (39612双排系列)

产品编号:

Product Number: HCB7.865.1319-1 (HCB-TS-0108)

规格书版本号:

Version Number: B/2

HCB承认栏 HCB admit bar	批准 Approval	张勤国 2021.11.15	审核 Check	连云斌 2021.11.15	拟制 Edit	邵小霞 2021.11.15
顾客承认栏 Customers admit bar	批准 Approval		审核 Check		确认 Confirm	

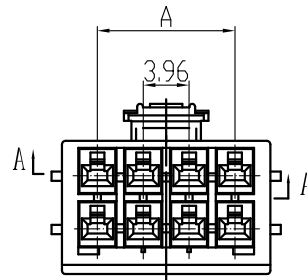
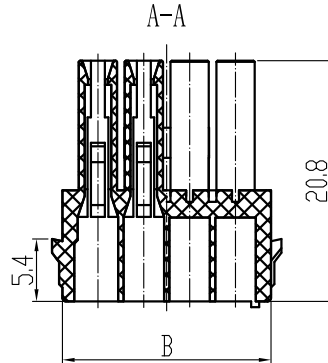
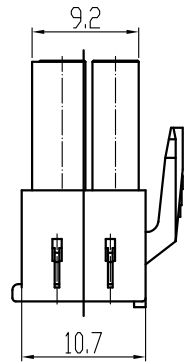
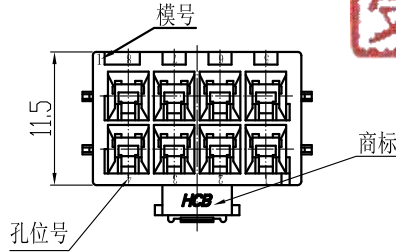
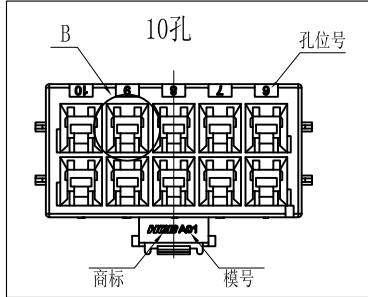
地址:中国浙江省乐清市乐清湾港区乐商创业园创新路4号

Tel: 86-577-62351197 Fax: 86-577-62363197 Zip: 325600

产品规格书 PRODUCT SPECIFICATION

产品名称型号: Product Name:	C39602-BNP (39612双排系列)
产品编号: Product Number:	HCB7. 865. 1319-1 (HCB-TS-0108)
规格书版本号: Version Number:	B/2

一、产品简图 Outline drawing



适用范围 Scope	>0~3	>3~18	>18~50	>50~120
公差 Tolerance	±0.15	±0.20	±0.31	±0.55

177915	C39602-A05S (177921-1)	C39602-B10RF (177912-1)	C39602-B10P (177904-1)	10	15.84	21.86
	C39602-A04S (177920-1)	C39602-B08RF (179467-1)	C39602-B08P (177902-1)	8	11.88	17.9
	C39602-A03S (177919-1)	C39602-B06RF (179466-1) C39602-B06R (177909-1)	C39602-B06P (177901-1)	6	7.92	13.94
	C39602-A02S (177918-1)	C39602-B04RF (179465-1) C39602-B04R (177908-1)	C39602-B04P (177900-1)	4	/	9.98
互配端子 Matched terminal	互配锁片 Matched retainer	互配塑件 Matched housing	名称	孔数	A	B
				尺寸		

物料明细表 BOM:

物料编码 Part NO.	材料 Material	备注 Mark
	PA66 高阻燃	蓝色、本色、黄色、红色

产品规格书

PRODUCT SPECIFICATION

产品名称型号: Product Name:	C39602-BNP (39612双排系列)
产品编号: Product Number:	HCB7.865.1319-1 (HCB-TS-0108)
规格书版本号: Version Number:	B/2

二、适用温度范围 Applicable Temperature Range -40°C~+105°C

三、绝缘电阻 Insulation Resistance ≥1000MΩ

四、耐压 Withstand Voltage 1500V.AC

五、性能与测试说明 PERFORMANCE AND TESTS DESCRIPTION

产品的设计必须满足以下机械性能及要求

Products will be designed to meet the mechanical and electrical performance requirements specified



项目 Item	测试条件 Test Condition	规格要求 Requirement	
1	外观 Appearance 目测视力在1.0以上, 照明强度为(200~300)lx, 目测距离约(0.3~0.5)m. Visual by eye light >1.0,lamp (200~300)lx, space (0.3-0.5)m.	塑料件表面应无明显疤痕、凹陷、开裂及影响使用的变形. Plastic part:Smooth and flat surface without discolor,broken,crack, distortion defects is acceptable.	
2	绝缘电阻 Insulation Resistance 测试电压: 500V DC/Min。500V DC 作用于插入端 子与塑件接触的金属外壳之间。 Test Voltage:500 vcc during 1 minute applied between inserted terminal and a meallic wrapper in contact with the Plastic parts external wall .	≥1000MΩ MIN	
3	耐电压 Dielectric Strength 用相邻接触件之间或地线之间施加50Hz 1500V AC(有 效值), 漏电流1mA. Mate connectors,apply 1500V AC for 1 minute between adjacent terminal or ground,leakage current 1mA.	漏电流1mA. leakage current 1mA. 无击穿和飞弧现象 No Breakdown	
4	端子插入力 Contact Insertion Force C39602-02PT(177915)端子压紧后, 以15-25mm/min的匀 速插入塑件中。 Fixing the Plastic patrs into a support by pulling cable at rate of 25mm/min and in s distance of 15mm from the insulation crimp.The terminal must remain free to pivote during the insertion	P/N	最大力 Max. Effort (Kg/f)
		C39602-BNP (39612双排系列)	1.0
5	端子保持力 Reteintive Force 以25mm/min的速度将插入塑件中的端子拔出的力量, 塑件 在测试之前必须保持在, 23±1° C , 48-52%相对湿度的 环境中48h, 符合IEC规格68-1 Measure the pull out force of the inserted terminal terminal into Plastic patrs by stretching cable at rate of 25mm/min Plastic patrs must remain at 23±1°C , 48-52% RH for 48h before test,acc. IEC spec 68-1.	P/N	最小力 Min. Effort (Kg/f)
		C39602-BNP (39612双排系列)	4.0

产品规格书 PRODUCT SPECIFICATION		产品名称型号: Product Name:	C39602-BNP (39612双排系列)
		产品编号: Product Number:	HCB7. 865. 1319-1 (HCB-TS-0108)
		规格书版本号: Version Number:	B/2
项目 Item	测试条件 Test Condition	规格要求 Requirement	
6 耐高温 Heat Resistance	<p>把试件放入高温试验箱中,以(0.7~1)℃/min的温度变化速度,将温度调到(105±2)℃.待平衡后保持4小时,然后以同样的速度降到室温,恢复2小时后检查.</p> <p>Heating: Room temperature→(105±2)℃ Speed: (0.7~1)℃/min Duration: 4 hours Cooling: (105±2)℃→ room temperature at the same speed Check: In 2 hours</p>	 外观:无损伤 Appearance: No Damage	
7 耐低温 Cold Resistance	<p>把试件放入低温试验箱中,以(0.7~1)℃/min的温度变化速度,将温度调到(-40±2)℃.待平衡后保持4小时,然后以同样的速度升到室温,恢复2小时后检查.</p> <p>Cooling: Room temperature→(-40±2)℃ Speed: (0.7~1)℃/min Duration: 4 hours Heating: (-40±2)℃→ room temperature at the same speed Check: In 2 hours</p>	外观:无损伤 Appearance: No Damage	
8 阻燃性 Flame Retardancy	<p>灼热丝温度850度,火热持续时间小于等于30秒; 灼热丝温度750度,火热持续时间小于等于2秒.</p> <p>Glow-wire temperature 850℃ fire heat duration less than 30 seconds. Glow-wire temperature 750℃ fire heat duration less than 2 seconds.</p>	符合850度,符合750度 It fits 850 degrees, meets 750 degrees	

六、资格 QUALIFICATION

本规范中描述的产品已全部通过第五点规定的测试,即按照本规范将被视为合格.

The product described in this specification has to overcome successfully all the tests specified in point 5. Afterwards and according with this specification, it will be considered qualified.