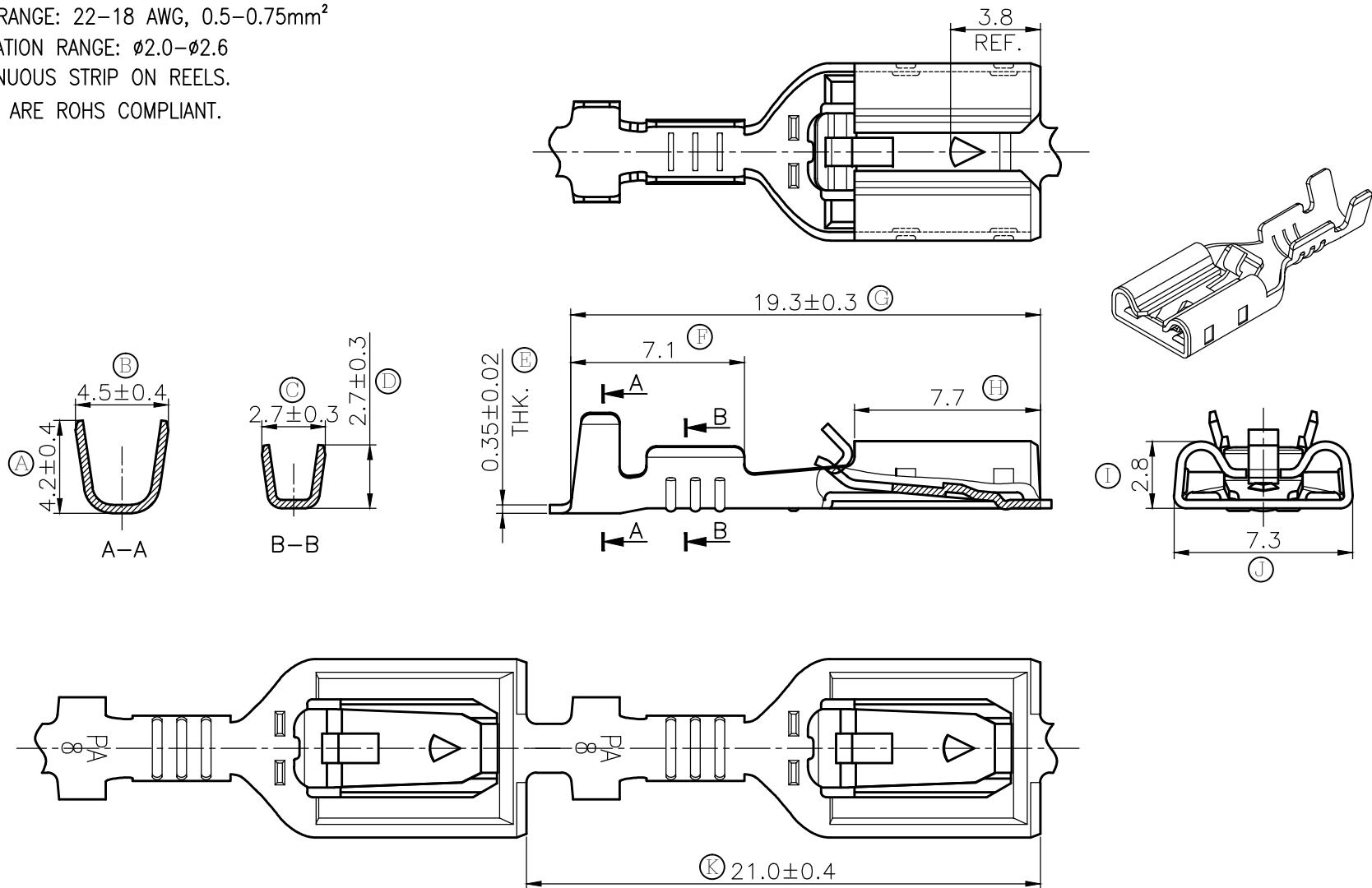


REV.	DESCRIPTION	APPROVED	DATE
A	INITIAL RELEASE	L.H.L	2018/07/21
B	E0180932	L.H.L	2018/09/10
C	E0230327	L.H.L	2023/03/24

- 1 MATERIAL: BRASS
FINISH: NI-PLATED
- 2 MATING TAB: 6.3X0.8
- 3 WIRE RANGE: 22-18 AWG, 0.5-0.75mm²
INSULATION RANGE: $\phi 2.0-\phi 2.6$
- 4 CONTINUOUS STRIP ON REELS.
- 5 PARTS ARE ROHS COMPLIANT.



CUSTOMER DRAWING	TITLE .250 LOCK-IN RECEPTACLES	MODEL NO.: LK2500804-S	DWN: L.H.L	2023/03/24	PAM 力幹企業有限公司 POWER ACT ENTERPRISE LIMITED			
		DWG NO.: CD-LK250-005	REV.: C	CHK: C.H.P		2023/03/24		
GENERAL TOLERANCES (UNLESS SPECIFIED)		.X ± 0.2	.XX ± 0.05	.XXX ± 0.01	A' $\pm 2'$	UNIT: mm	SCALE: 5:1	APP: