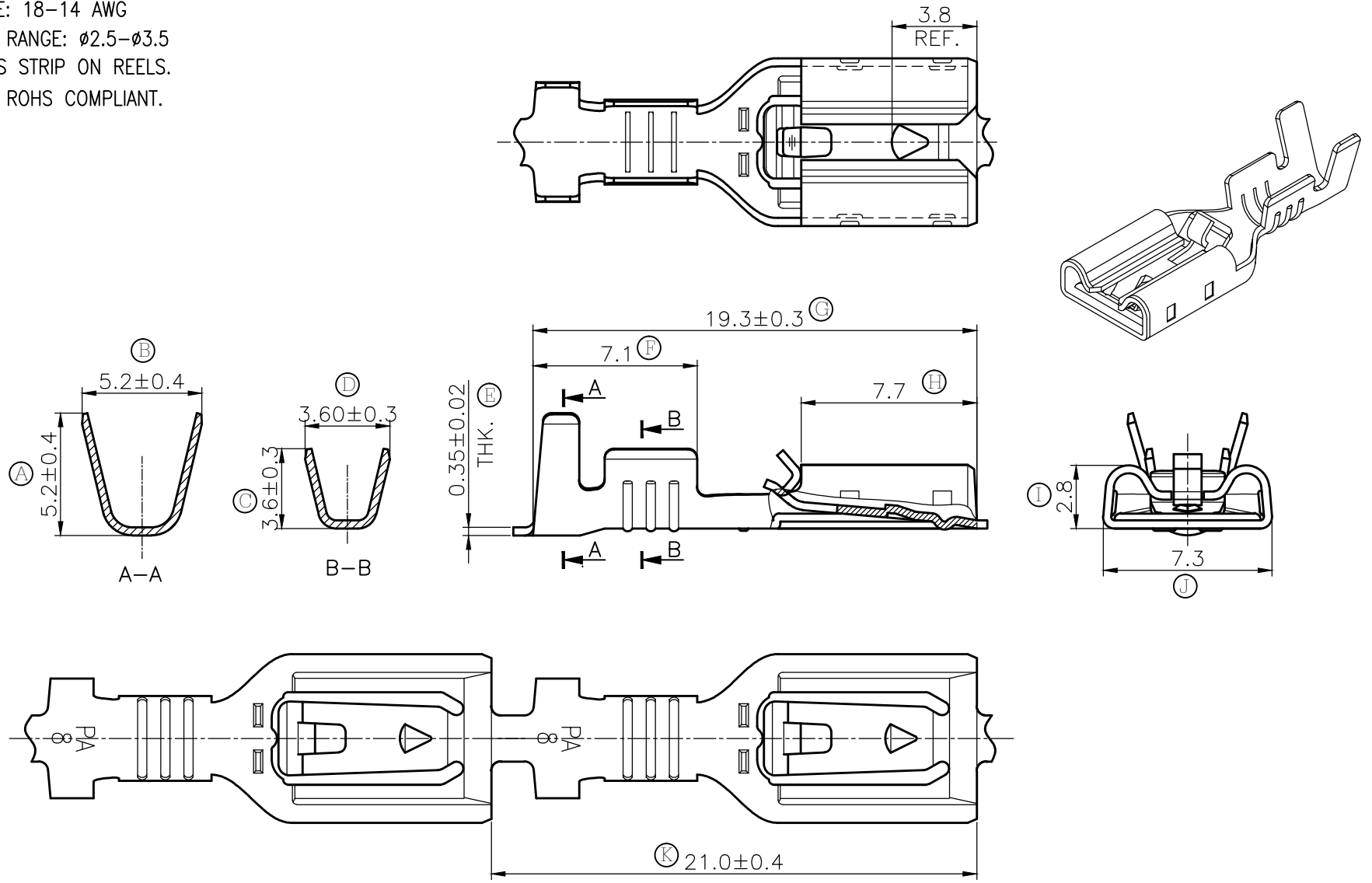


REV.	DESCRIPTION	APPROVED	DATE
A	INITIAL RELEASE	L.H.L	2018/01/25
B	E0180727	L.H.L	2018/08/09
C	E0191202	L.H.L	2019/12/05
D	E0230328	L.H.L	2023/03/24

- 1 MATERIAL: BRASS
FINISH: TIN PLATED
- 2 MATING TAB: 6.3X0.8
- 3 WIRE RANGE: 18-14 AWG
INSULATION RANGE: $\phi 2.5-\phi 3.5$
- 4 CONTINUOUS STRIP ON REELS.
- 5 PARTS ARE ROHS COMPLIANT.



CUSTOMER DRAWING	TITLE .250 LOCK-IN RECEPTACLES	MODEL NO.: LK2500802	DWN: L.H.L	2023/03/24	PAM 力幹企業有限公司 POWER ACT ENTERPRISE LIMITED
		DWG NO. : CD-LK250-001	REV.: D	CHK: C.H.P	
GENERAL TOLERANCES (UNLESS SPECIFIED) .X ± 0.2 .XX ± 0.05 .XXX ± 0.01 A' $\pm 2'$		UNIT: mm	SCALE: 5:1	APP:	