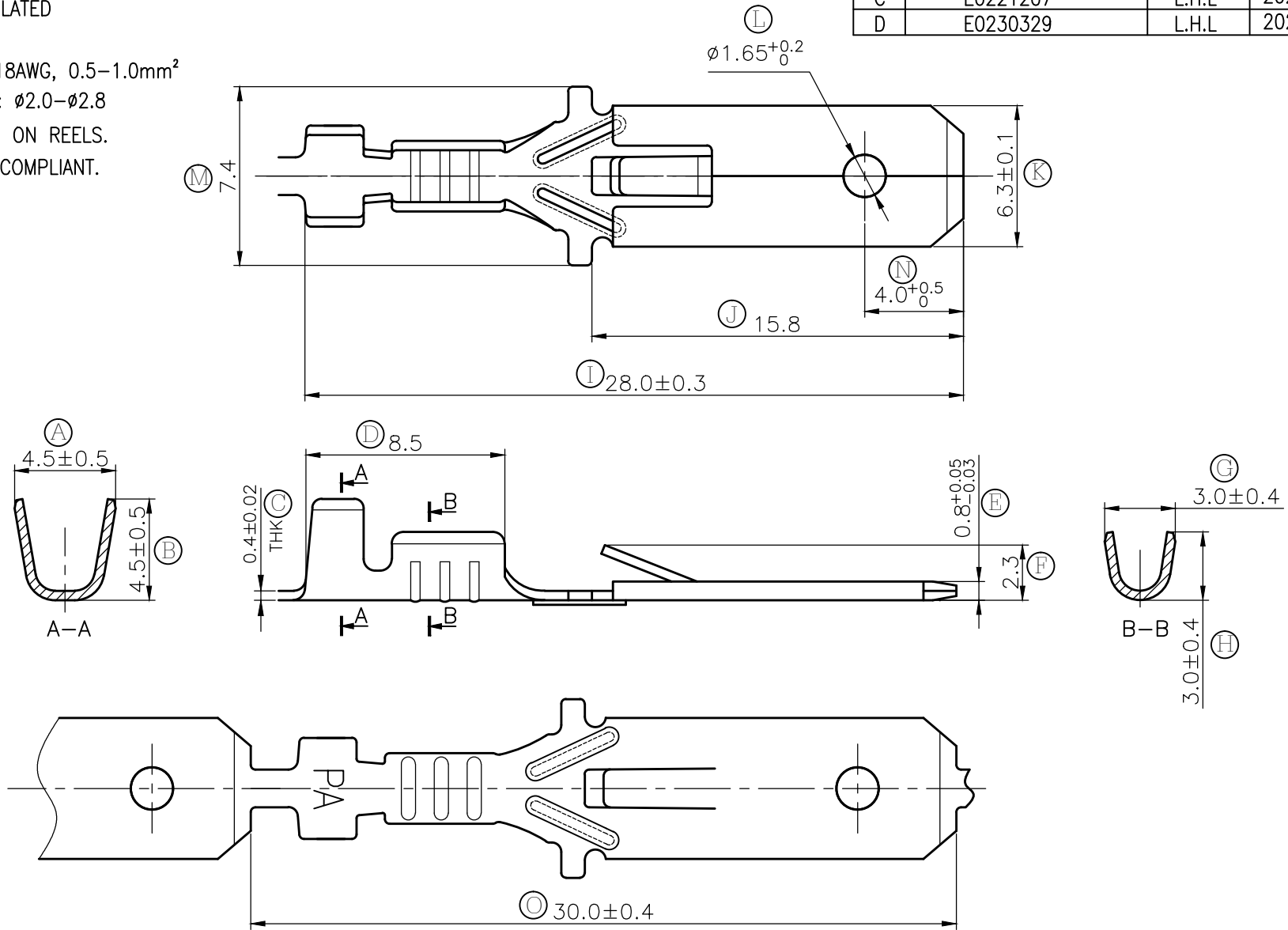


REV.	DESCRIPTION	APPROVED	DATE
A	INITIAL RELEASE	L.H.L	2018/05/04
B	E0180840	L.H.L	2018/08/08
C	E0221207	L.H.L	2022/12/06
D	E0230329	L.H.L	2023/03/24

- 1 MATERIAL: BRASS
- FINISH: PRE-TIN PLATED
- 2 TAB: 6.3X0.8
- 3 WIRE RANGE: 22~18AWG, 0.5~1.0mm²
- INSULATION RANGE: ϕ 2.0- ϕ 2.8
- 5 CONTINUOUS STRIP ON REELS.
- 6 PARTS ARE ROHS COMPLIANT.



CUSTOMER DRAWING	TITLE	TAB TERMINAL	MODEL NO.: TL6300802-S	DWN: L.H.L	2023/03/24	PAM 力幹企業有限公司 POWER ACT ENTERPRISE LIMITED		
	GENERAL TOLERANCES (UNLESS SPECIFIED)	.X ±0.2	.XX ±0.05	.XXX ±0.01	A° ±2'		DWG NO. : CD-TL630-001	REV.: D
			UNIT: mm	SCALE: 4:1		APP:		