

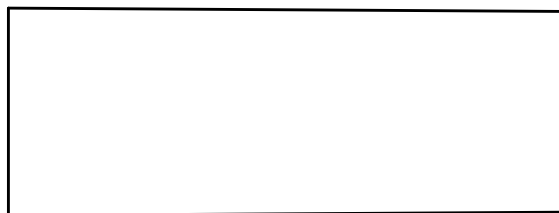
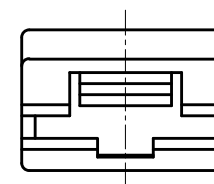
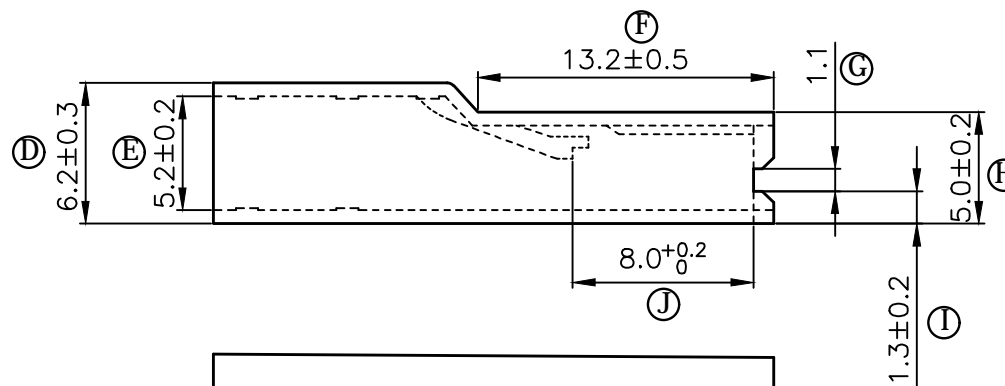
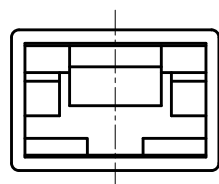
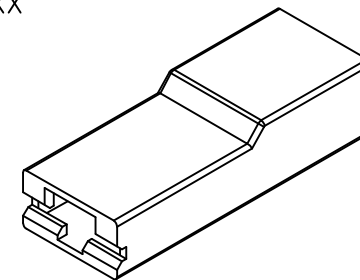
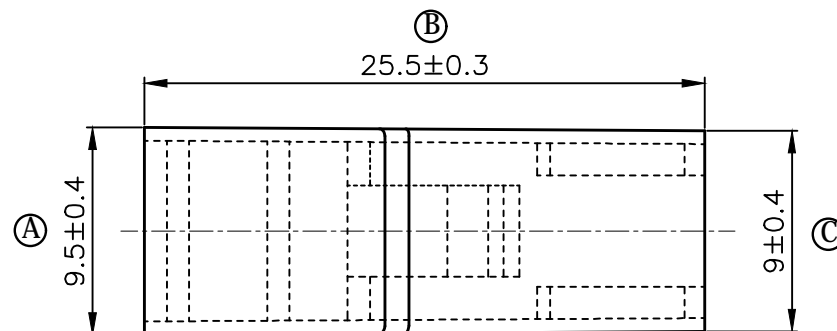
1 MATERIAL: NYLON,VAMPAMID 66 0023 V0 H GW
 VDE 40025912,GWFI 960,GWIT 775.

2 MAXIMUM OPERATING TEMPERATURE: 120°C

3 GLOW WIRE RESISTANT,GWT 750~850°C

4 FOR NOT SELF-LOCKING RECEPTACLE: 6.3X0.8 SK630 SK630-S SK630-M SK630-XS
 6.3X0.8 SK631 SK631-S SK631-M SK631-XS
 6.3X0.8 SK633 SK633-S SK633-M SK633-XS
 6.3X0.8 SK250 SK250-S SK250-M
 6.3X0.8 ST250 ST250-S ST250-M ST250-XS ST250XL .XXX

REV.	DESCRIPTION	APPROVED	DATE
A	INITIAL RELEASE	L.H.L	2021/12/03



CUSTOMER DRAWING	TITLE	HOUSING	MODEL NO.: H-SK630-V0	DWN: L.H.L	2021/12/03
	GENERAL TOLERANCES (UNLESS SPECIFIED) .X ±0.3 .XX ±0.05 .XXX ±0.01 A'. ±2'		DWG NO.:CD-H-SK630-001	REA.: A	CHK: C.P.H
			UNIT: mm	SCALE: 3:1	APP: