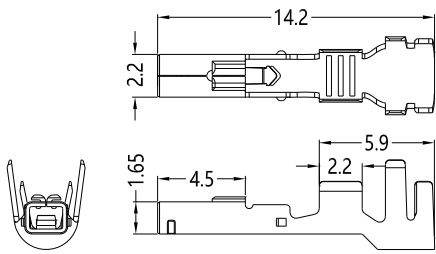


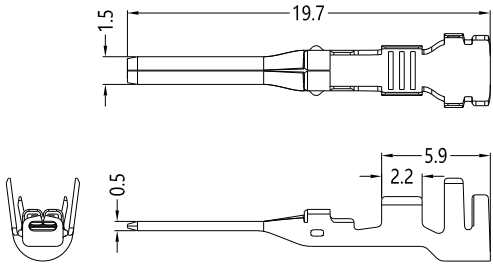


主要技术参数 (Main specifications)

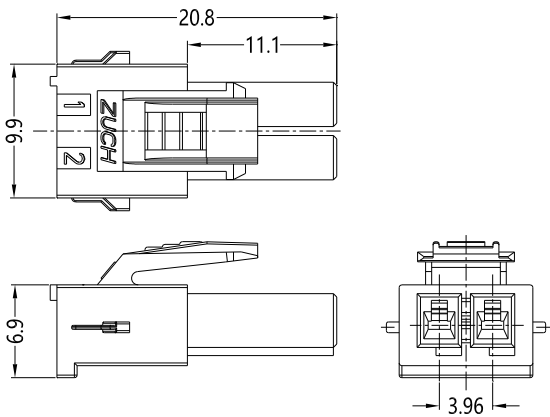
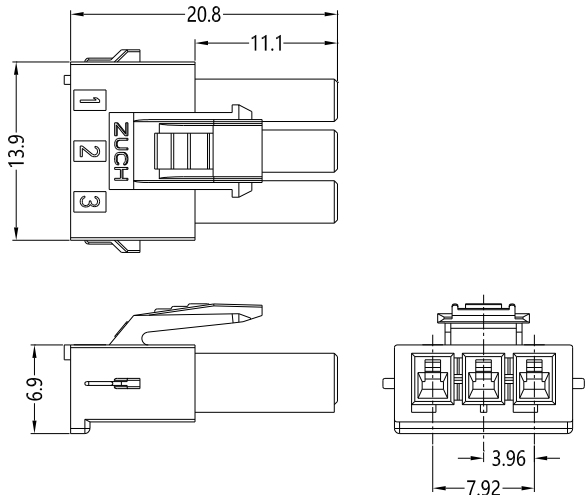
- 额定电压 (Rating Voltage): 300V AC/DC
- 额定电流 (Rating Current): 10A
- 接触电阻 (Contact Resistance): $\leq 10\text{m}\Omega$
- 绝缘电阻 (Insulation Resistance): $\geq 1000\text{M}\Omega$
- 耐压 (Withstand Voltage): 1500V AC/1min.
- 温度范围 (Temperature Range): $-40^{\circ}\text{C}\sim 105^{\circ}\text{C}$
- 孔座材料 (Housing Material): PA66
- 插座材料 (Socket Material): PA66

◆ TERMINAL

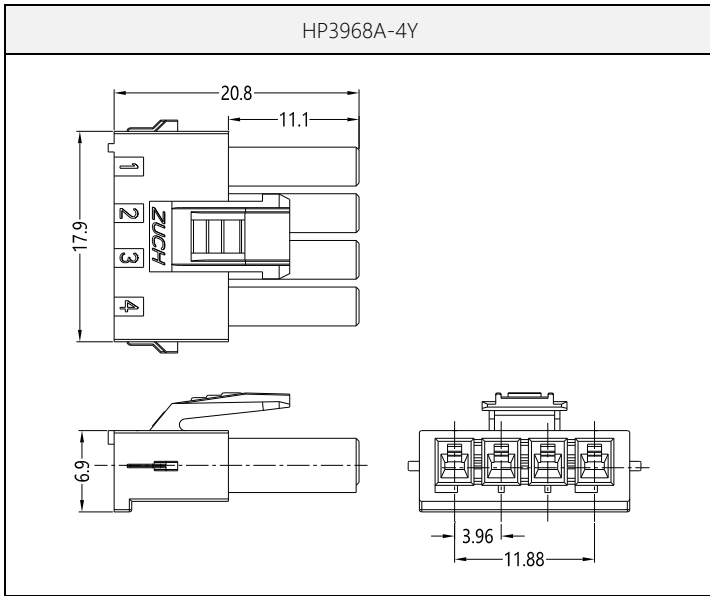
	型号 Part No.	适用电线范围 Wire Range		材质 Material	包装数量 Q'ty/reel
		mm ²	AWG#		
	TP3968A-3(A)	0.2~0.30	24-22	磷青铜 PB	3500PCS
	TP3968A-3	0.50~0.75	20-18	磷青铜 PB	3500PCS

	型号 Part No.	适用电线范围 Wire Range		材质 Material	包装数量 Q'ty/reel
		mm ²	AWG#		
	TR3968A-3(A)	0.2~0.30	24-22	黄铜 Brass	3500PCS
	TR3968A-3	0.50~0.75	20-18	黄铜 Brass	3500PCS

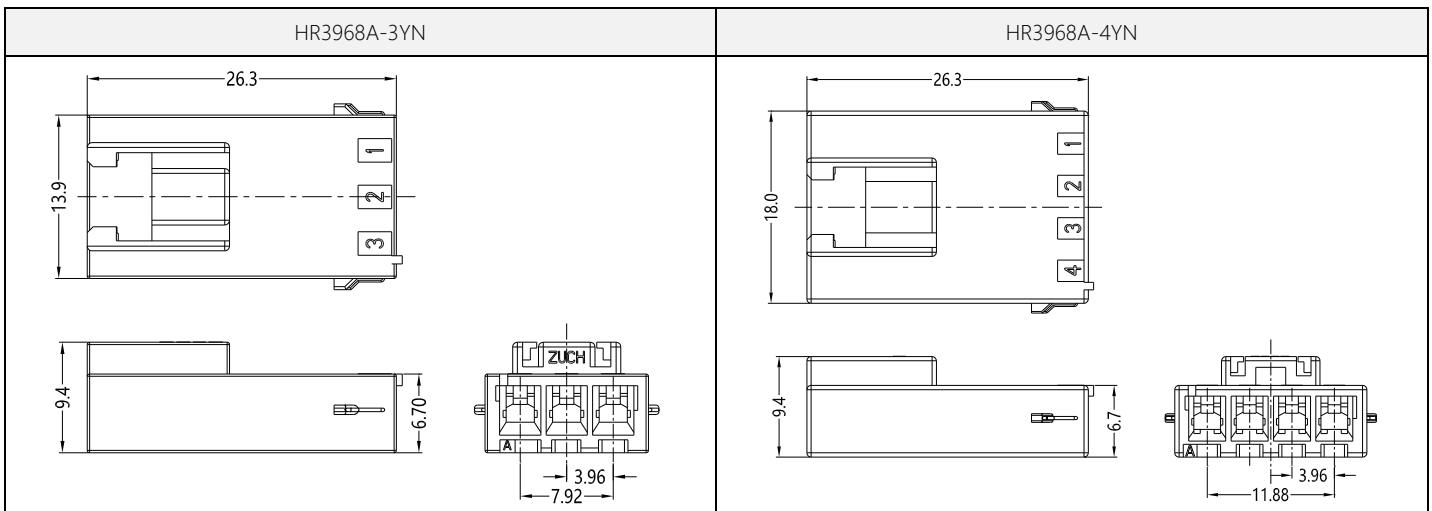
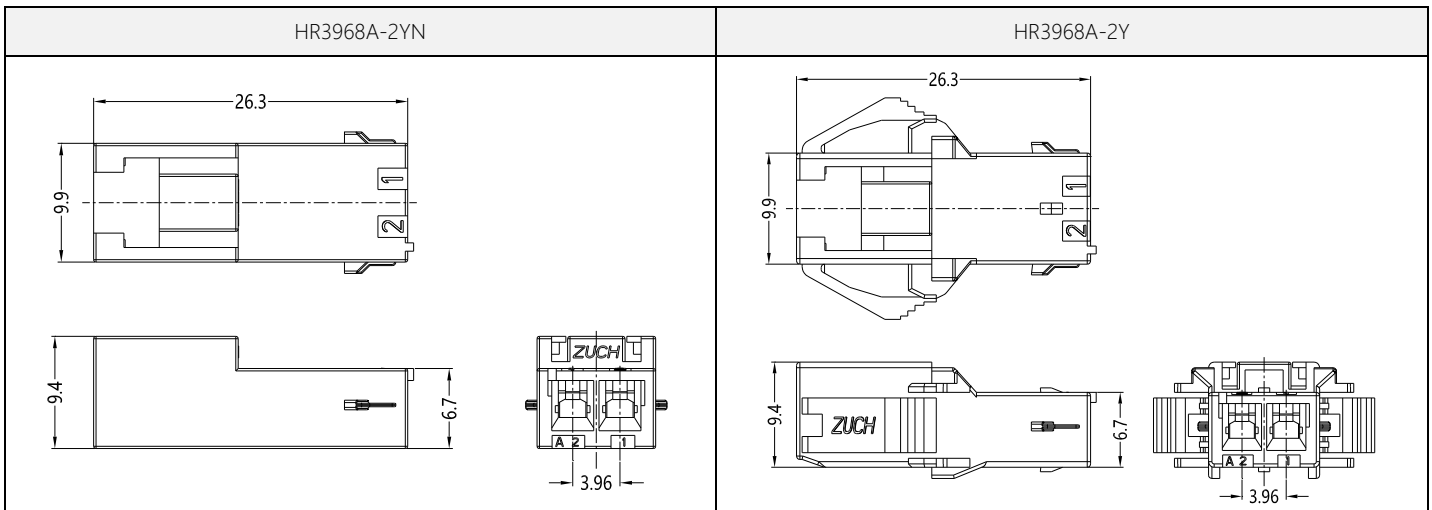
◆ HOUSING

HP3968A-2Y	HP3968A-3Y
	

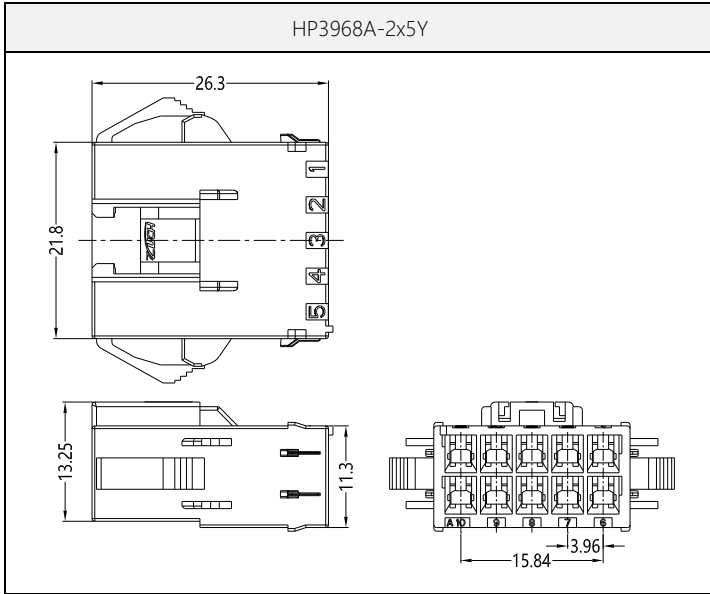
◆ HOUSING



◆ SOCKET



◆ SOCKET



◆ RETAINER

